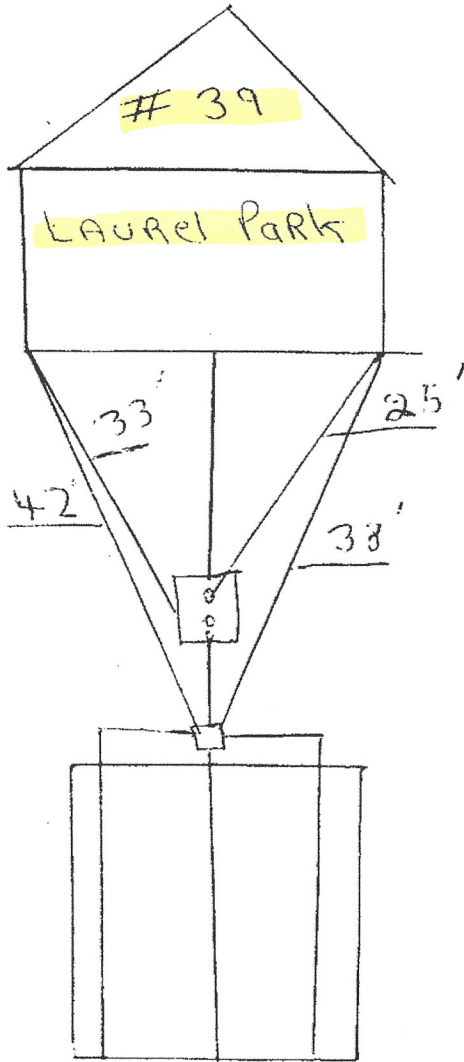


Unit # 39 Laurel Park
Septic System Map - 2003

AS BUILT FOR
PETER M.

21 4/03



Leach Field
40' x 15'